

YGP 系列辊道用变频调速三相异步电动机

YGP Series Inverter And Vector For Roller Table Induction Motors


机座号 100~225
功率 0.55~25kW
防护等级 IP54
绝缘等级 F, H

适用于: 冶金行业特别是冶金行业中辊道设备在变频控制条件下, 电动机既适合于 S1 连续工作制运行的输送辊道辊子, 也特别适合于短时或断续周期运行、频繁启动、制动和正、反转运行的工作辊道辊子。

Applications: widely used for the metallurgy equipment, especially for transporting roller bed on continuous duty and working roller bed with short time on duty where frequent starting, braking and reversing running is existed.

特点: 过载能力大、机械强度高, 调速范围广、运行稳定
Features: ability of overload and mechanic strength. Wide range of speed and running smoothly.

性能数据 Performance Data

380V 50Hz

型号 Type	功率 kW	额定电流 Current A	额定 转矩 N.m	转 速 r/min	堵转转矩 额定转矩 $\frac{T_{st}}{T_N}$	最大转矩 额定转矩 $\frac{T_{max}}{T_N}$	转动惯量 kg.m ²
同步转速 1500r/min							
YGP100L-4	0.75	1.8	5	1440	1.3~2.0	3.7	0.0092
YGP112L1-4	1.1	2.4	7.3	1450	1.3~2.0	3.6	0.0124
YGP112L2-4	1.5	3.0	10	1450	1.3~2.0	3.6	0.0173
YGP132M1-4	2.2	4.6	14.5	1450	1.3~2.0	3.5	0.0254
YGP132M2-4	3	6.1	20	1450	1.3~2.0	3.5	0.0382
YGP160S1-4	4	8.0	26.2	1460	1.3~2.0	3.6	0.0785
YGP160S2-4	5.5	11	36	1460	1.3~2.0	3.6	0.0826
YGP160L1-4	6.3	12.3	41.2	1460	1.3~2.0	3.7	0.102
YGP160L2-4	7.5	14.5	49.1	1460	1.3~2.0	3.7	0.125
YGP180L1-4	9	17.0	58.7	1465	1.3~2.0	3.7	0.152
YGP180L2-4	11	20.5	71.7	1465	1.3~2.0	3.7	0.178
YGP200L1-4	15	28.0	97.8	1465	1.3~2.0	3.8	0.265
YGP200L2-4	18.5	33.4	120.6	1465	1.3~2.0	3.8	0.356
YGP225M1-4	22	39.6	142.5	1475	1.3~2.0	3.8	0.411
YGP225M2-4	25	44.5	162	1475	1.3~2.0	3.7	0.483
同步转速 1000r/min							
YGP112L1-6	0.75	2.0	7.4	965	1.3~2.0	3.6	0.0112
YGP112L2-6	1.1	2.7	11	965	1.3~2.0	3.6	0.0116
YGP132M1-6	1.5	3.4	15	965	1.3~2.0	3.2	0.0264
YGP132M2-6	2.2	4.8	22	965	1.3~2.0	3.2	0.0426

性能数据 Performance Data
380V 50Hz

型号 Type	功率 kW	额定电流 Current A	额定转矩 Rated Torque N·m	转速 r/min	堵转转矩 额定转矩 <u>Locked-rotor Torque</u> Rated Torque	最大转矩 额定转矩 <u>Breakdown Torque</u> Rated Torque	转动惯量 kg.m ²
同步转速 1000r/min							
YGP160S1-6	3	6.6	29.5	970	1.3~2.0	3.4	0.0857
YGP160S2-6	4	8.7	39.4	970	1.3~2.0	3.4	0.0934
YGP160L1-6	5.5	11.7	54	970	1.3~2.0	3.6	0.115
YGP160L2-6	6.3	13.2	62	970	1.3~2.0	3.5	0.159
YGP180L1-6	7.5	15.0	73.5	975	1.3~2.0	3.6	0.203
YGP180L2-6	9	17.7	88.1	975	1.3~2.0	3.6	0.287
YGP200L1-6	11	21.7	107.8	975	1.3~2.0	3.7	0.312
YGP200L2-6	15	28.6	147	975	1.3~2.0	3.7	0.383
YGP225M1-6	18.5	34.4	181	975	1.3~2.0	3.5	0.524
YGP225M2-6	22	41.0	215	975	1.3~2.0	3.5	0.623
同步转速 750r/min							
YGP112L1-8	0.55	1.6	7.3	725	1.3~2.0	3.5	0.0112
YGP112L2-8	0.75	2.0	10	725	1.3~2.0	3.5	0.0166
YGP132M1-8	1.1	3.2	14.5	725	1.3~2.0	3.2	0.0264
YGP132M2-8	1.5	4.3	20	725	1.3~2.0	3.2	0.0426
YGP160S1-8	2.2	5.5	30	725	1.3~2.0	3.5	0.0857
YGP160S2-8	3	7.3	39.5	725	1.3~2.0	3.5	0.0945
YGP160L1-8	4	9.6	52.7	725	1.3~2.0	3.6	0.121
YGP160L2-8	5.5	13.0	72.5	725	1.3~2.0	3.6	0.196
YGP180L1-8	6.3	15.0	82.4	730	1.3~2.0	3.6	0.238
YGP180L2-8	7.5	17.0	98	730	1.3~2.0	3.5	0.297
YGP200L1-8	9	20.0	117.7	730	1.3~2.0	3.6	0.315
YGP200L2-8	11	25.0	144	730	1.3~2.0	3.7	0.341
YGP225M1-8	15	31.7	195	735	1.3~2.0	3.6	0.524
YGP225M2-8	18.5	38.5	240	735	1.3~2.0	3.6	0.623

注：表中堵转转矩/额定转矩为 3Hz 时的值，其大小与变频器的控制方式有关。最大转矩/额定转矩为 50Hz 时的值。

The ratio of the locked-torque/rated torque is the value at 3Hz, which is determined by the control mode of the inverter. The ratio of the breakdown/rated torque is the value at 50Hz.

主要技术特性 Technical Performance

电动机的绝缘等级为 F 或 H 级，外壳防护等级为 IP54 (防尘、防溅水)，也可根据需要制成 IP55、IP56，冷却方式为 IC410 (全封闭表面冷却)。电动机的调速范围广，变频范围为 5~100Hz，其中 5~50Hz 为恒转矩调速，55~100Hz 为恒功率调速。电动机的过载能力大，过载能力可达到额定转矩的 3.5~4.0 倍(一般电动机为 2.0 倍)。低频起动力矩大，频率为 5Hz 时的起动转矩可达到额定转矩的 1.3~1.8 倍。电动机低速性能好，低速时转矩平滑，无爬行、脉动现象。

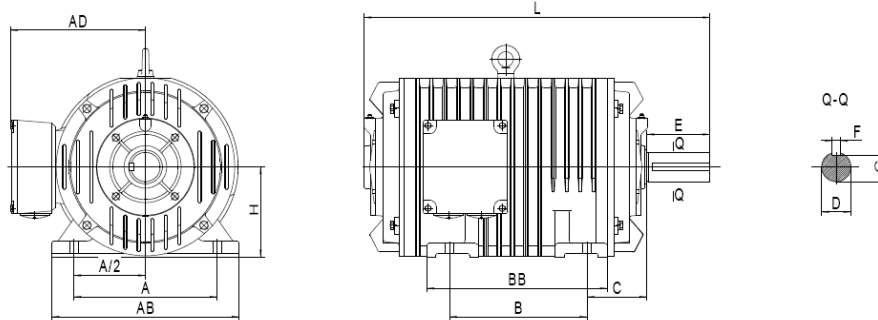
The motor designed with F or H insulation, IP54 protection. The frequency range of the motor is 5~100Hz,

maintaining torque constant during 5~50Hz and output constant during 50~100Hz. The overload capability of the motor is excellent. The motor can be operated with the overload of 3.5~4.0 times of the rated torque (the ration of the general purpose motor is about 2). Motors have good performance at low speed. The starting torque at 5Hz is 1.3~1.8 times of the rated values.

外形及安装尺寸 Dimensions

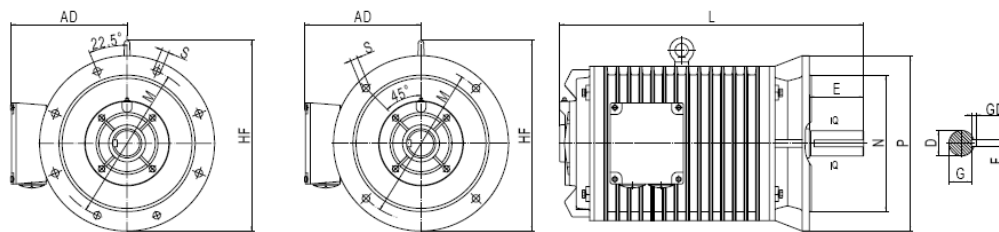
mm

B3 (机座带底脚、端盖无凸缘)



机座号 Frame	安 装 尺 寸 Mounting Dimension										外 形 尺 寸 Overall Dimension					
	A	B	C	D	E	F	G	GD	H	K	AB	AC	BB	HA	HD	L
112L	190	159	70	32	80	10	27	8	112	12	235	240	200	20	330	460
132M	216	178	89	38	80	10	33	8	132	12	265	265	236	23	355	520
160S	254	178	108	48	110	14	42.5	9	160	15	315	315	236	25	410	650
160L	254	254	108	48	110	14	42.5	9	160	15	315	315	310	25	410	700
180L	279	279	121	55	110	16	49	10	180	15	360	360	350	30	500	750
200L	318	305	133	65	140	18	58	11	200	19	415	415	400	35	570	860
225M	356	311	149	75	140	20	67.5	12	225	19	470	470	415	35	620	950

B5 (机座不带底脚、端盖有凸缘)

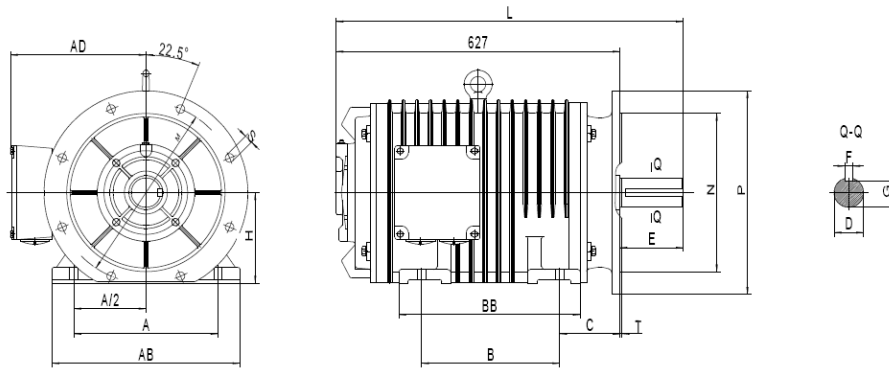


H112—180mm

H200—225mm

机座号 Frame	凸缘号	安 装 尺 寸 Mounting Dimension												外 形 尺 寸 Overall Dimension			
		D	E	F	G	GD	M	N	P	R	S	T	凸缘孔数	AC	HD	LA	L
112L	FF215	32	80	10	27	8	215	180	250	0	15	4	4	250	330	12	460
132M	FF265	38	80	10	33	8	265	230	300	0	15	4	4	300	355	12	520
160S	FF300	48	110	14	42.5	9	300	250	350	0	19	5	4	350	410	14	650
160L	FF300	48	110	14	42.5	9	300	250	350	0	19	5	4	350	410	14	700
180L	FF300	55	110	16	49	10	300	250	350	0	19	5	4	360	500	16	750
200L	FF400	65	140	18	58	11	400	350	450	0	19	5	8	450	570	18	860
225M	FF400	75	140	20	67.5	12	400	350	450	0	19	5	8	470	620	18	950

B35 (机座带底脚、端盖有凸缘)



(图 错)

机座号 Frame	凸缘号	安 装 尺 寸 Mounting Dimension															外 形 尺 寸 Overall Dimension							
		A	B	C	D	E	F	G	H	K	M	N	P	R	S	T	凸缘孔数	AB	AC	BB	HA	HD	LA	L
112L	FF215	190	159	70	32	80	10	27	112	12	215	180	250	0	15	4	4	235	250	200	20	330	12	460
132M	FF265	216	178	89	38	80	10	33	132	12	265	230	300	0	15	4	4	265	300	236	23	355	12	520
160S	FF300	254	178	108	48	110	14	42.5	160	15	300	250	350	0	19	5	4	315	350	236	25	410	14	650
160L	FF300	254	254	108	48	110	14	42.5	160	15	300	250	350	0	19	5	4	315	350	310	25	410	14	700
180L	FF300	279	279	121	55	110	16	49	180	15	300	250	350	0	19	5	4	360	360	350	30	500	16	750
200L	FF400	318	305	133	65	140	18	58	200	19	400	350	450	0	19	5	8	415	450	400	35	570	18	860
225M	FF400	356	311	149	75	140	20	67.5	225	19	400	350	450	0	19	5	8	470	470	415	35	620	18	950